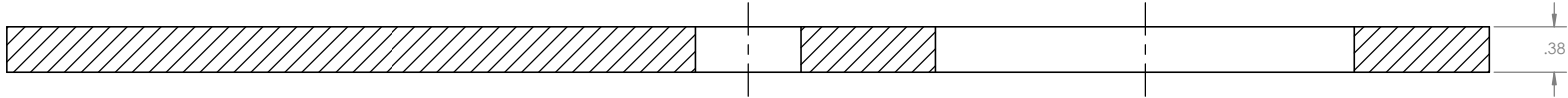
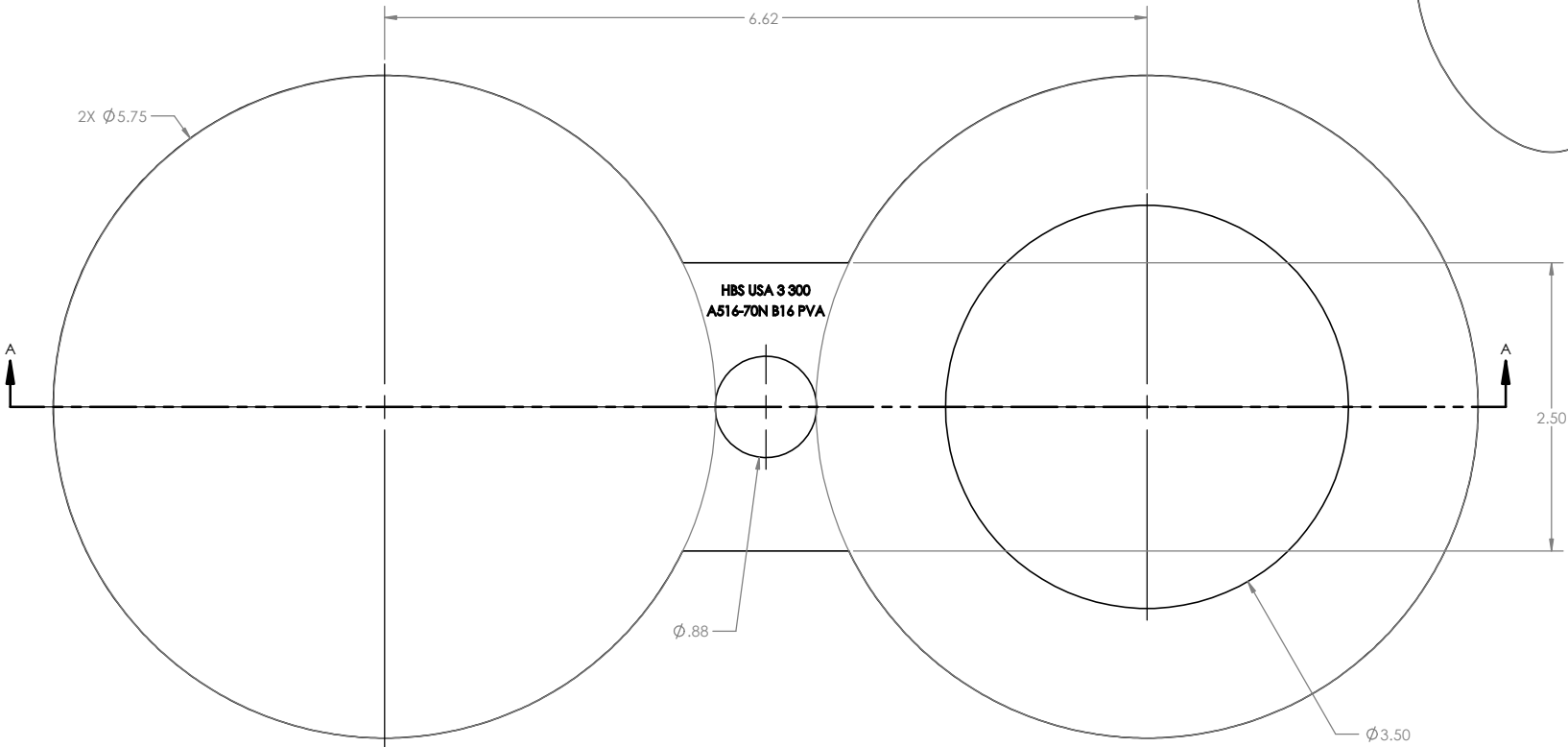
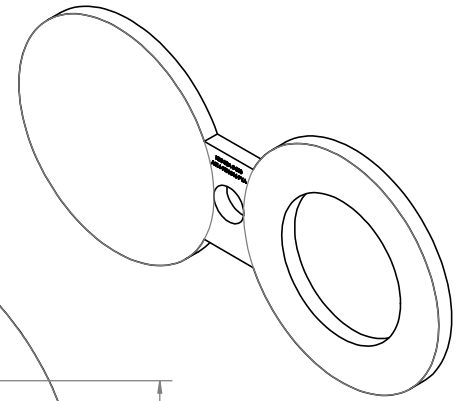


4


3

2

1



SECTION A-A

DO NOT SCALE PRINT		UNLESS OTHERWISE SPECIFIED: OUTSIDE DIAMETER: (+/-0.12) INSIDE DIAMETER: (+/-0.12) THICKNESS TOLERANCES (-ZERO +0.12) ALL UNITS IN INCHES OR POUNDS		<b>HYDROBLIND</b> <b>-ISOLUTIONS</b>
 <small>THIRD ANGLE PROJECTION</small>		SHEET 1 OF 1		
MATERIAL: CUSTOMER REQUESTED		DATE: 06/24/2020		DRAWING TITLE: 3 CL 300 FIGURE 8 BLIND
SCALE 1:0.8		DIMENSIONS & TOLERANCES TO BE IN ACCORDANCE WITH ASME B16.48		WEIGHT 6 lb
SIZE C	DRAWING NUMBER: 3SBM	REV 00		

4

3

2

1

D

D

C

C

B

B

A

A